

PCB PATTERN LAYOUT
(GENERAL TOLERANCE:±0.05)



OPENING/CLOSE OF SWITCH

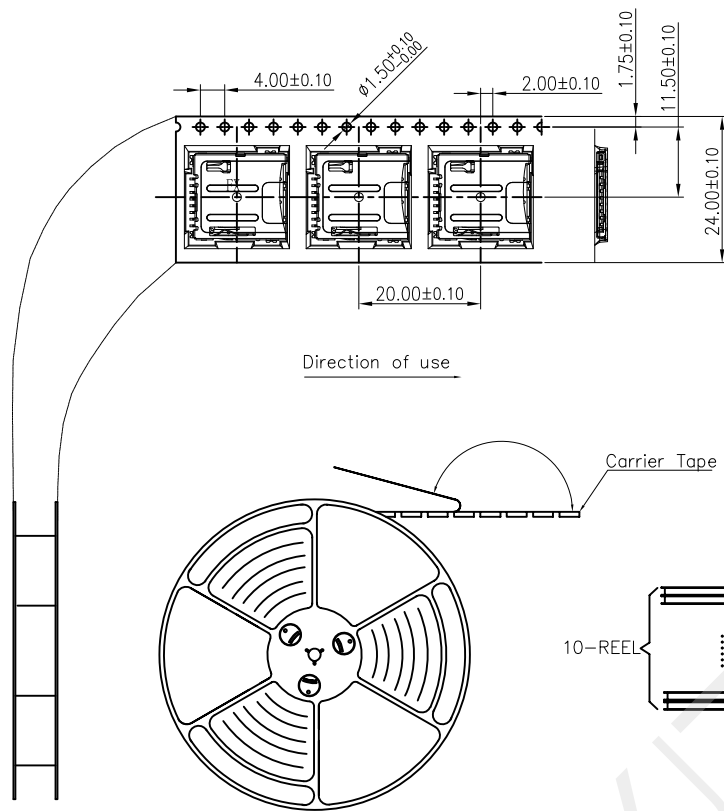
	CARD DETECT SWITCH	
CARD UNINSERTION	OPEN	
CARD HALF INERTION	OPEN	
CARD INSERTION	CLOSE	
N/O		

P6	Micro-SD_VSS		
P5	Micro-SD_CLK	P11	Cover_GND
P4	Micro-SD_VDD	P10	Micro-SD_GND
P3	Micro-SD_CMD	P9	Micro-SD_CD
P2	Micro-SD_CD/DATA3	P8	Micro-SD_DAT1
P1	Micro-SD_DATA2	P7	Micro-SD_DAT0
Pin Define			



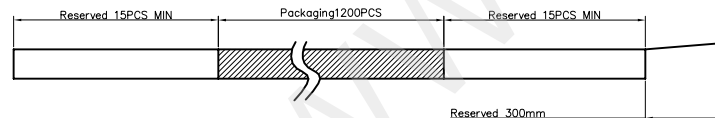
深圳市华宇创精密电子有限公司

TOLERANCE: X.X ±0.30 X.XX ±0.25 X.XXX ±0.15 X' ±2' X.X' ±0.5'	DRAWN BY : 陈一鸣	DATE : 2014-02-23	PART NAME: TF PUSH 外焊8PIN 1.5H
	CHECKED BY: 马跃	DATE : 2014-02-23	PART NO. HVC123-TF08-150
UNIT: mm [inch] SCALE: 1:1 SIZE: A4	APPROVED BY: 邱敏	DATE : 2014-02-23	DRAW NO.: HVC-2604071545
			SHEET NO. 1 OF 1

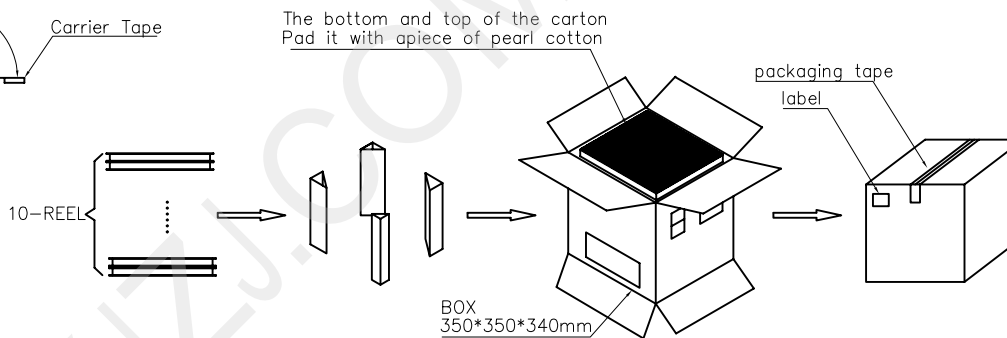


NOTES:


- 1: Packing quantity per plate: 1200PCS/Plate
- 2: Loading and packing method



3: Total packaging: 12000PCS/Box



Description	Quantity
Carrierband (Lucent, PS W=24 PH=12, T=0.30)	24.60M*10
Box (K=K, T=7.0, 350*350*340)	1PCS
PE Bag (T=0.08mm, 730*760*730)	1PCS
Self-adhesive (W=21.30)	24.60M*10
Beam (K=K, T=7.0, 95*95*290)	4PCS
Pearl Wool (340*340*18)	2PCS
REEL (BLUE, 13Inches*24mm, φ 330)	10PCS

 深圳市华宇创精密电子有限公司				
TOLERANCE: X.X ±0.30 X.XX ±0.25 X.XXX ±0.15 X' ±2' X.X' ±0.5'	DRAWN BY :	DATE :	PART NAME:	
	陈一鸣	2014-02-23	包装图	
⊕ ▯ UNIT: mm [inch]	CHECKED BY:	DATE :	PART NO.	
	马跃	2014-02-23	MOLD NO.	
SCALE:1:1 SIZE: A4	APPROVED BY:	DATE :	DRAW NO:	
	邱敏	2014-02-23	SHEET NO.	1 OF 1